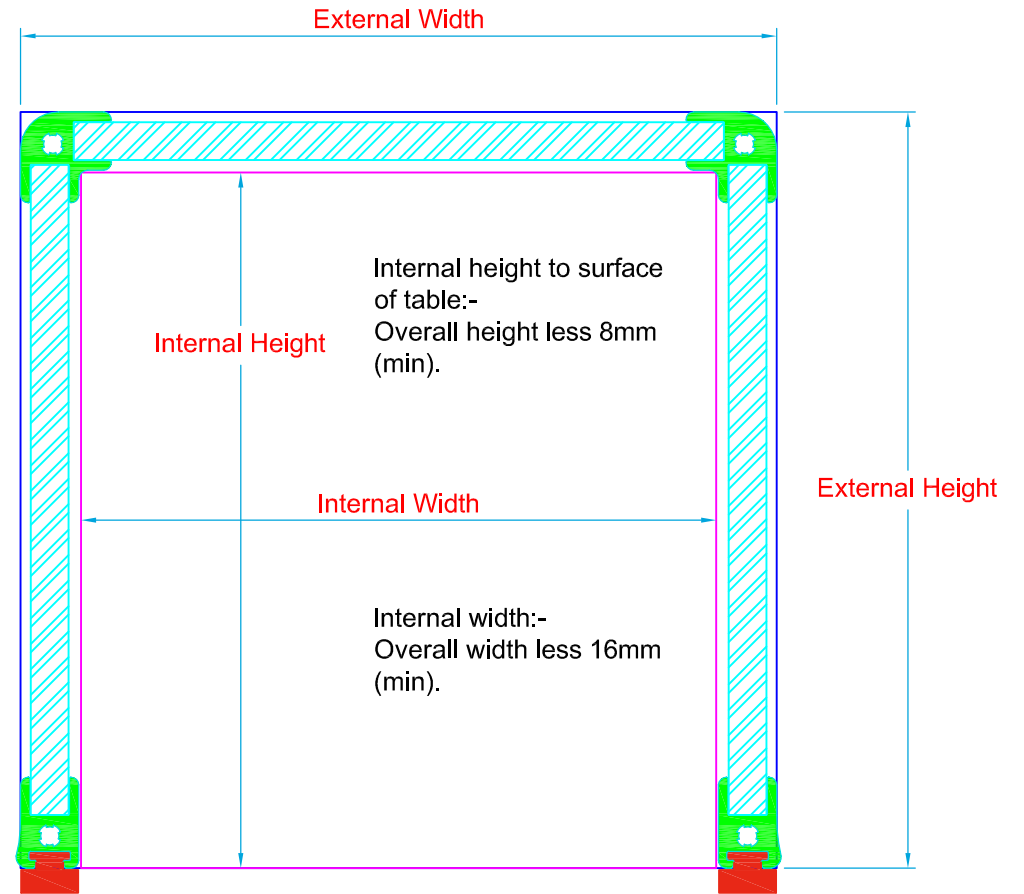
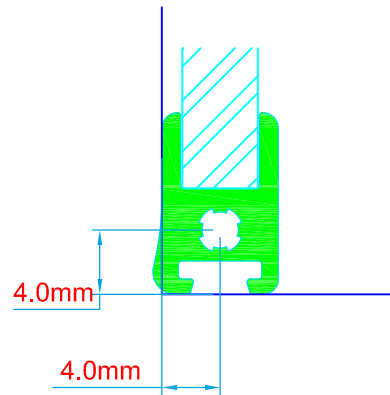


Dimensions for location of drilled holes, for fixing of PETG plastic end caps.



- - BRUSH STRIP INSERT
- 5mm PETG PLASTIC END
- ALUMINIUM EXTRUSION
- INTERNAL AREA
- 5mm PETG PLASTIC